

1135 DEANA CT
 SITE PLAN

SCALE: 1"=20'-0"

SITE LOCATION MAP

REVISION
 11-4-16



SITE DATA AND ZONING

773-20-022
 LOT AREA 45,593 SF
 ZONING

SQUARE FOOTAGES

EXISTING HABITABLE AREA	
LOWER FLOOR	2823
UPPER FLOOR	1089
NEW ADDED HABITABLE AREA	
GARAGE AREA	83
	672

SHEET INDEX

1. SITE PLAN, SITE DATA
2. EXISTING FLOOR PLANS
3. ELEVATIONS ,
4. LOWER FLR REMODEL PLAN
5. ROOF PLAN

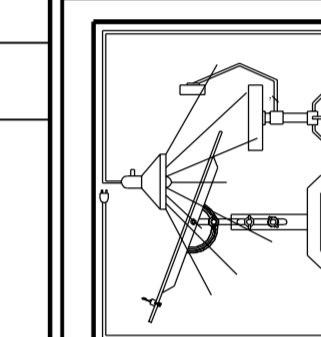
CONSTRUCTION DATA

BUILDING TYPE: VB
 NUMBER OF STORIES: 2
 OCCUPANCY GROUP: R3,U
 FIRE SPRINKLER: NO
 CODES:
 2019 CRC
 2019 CBC
 2019 FIRE CODE
 2019 CMC,CPC,CEC
 2019 CEC (TITLE 24 ENERGY CODE)
 SPECIAL INSPECTIONS REQUIRED:

SCOPE OF WORK

ADD INTO EXISTING COVERED PATIO
 OFF OF THE MASTER BEDROOM

SITE PLAN



RICHARD HARD
 DRAFTING AND PLANNING, INC.
 2150 MANGIN WAY, SAN JOSE, CA 95148
 (408) 532-1755 HARDING1@AOL.COM
 HARD DRAFTING PLANNING . COM

DUONG REMODEL AND ADDITION

1135 DEANA CT
 MORGAN HILL, CA

DATE: 10-14-20

DRW: RH

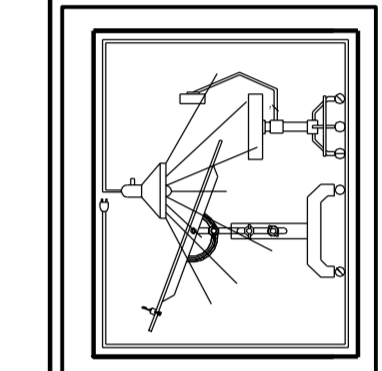
SCALE: 1/8"=1'-0"

JOB: DUONG

1

	△
	△
	△
	△
	△

EXISTING FLOOR PLANS



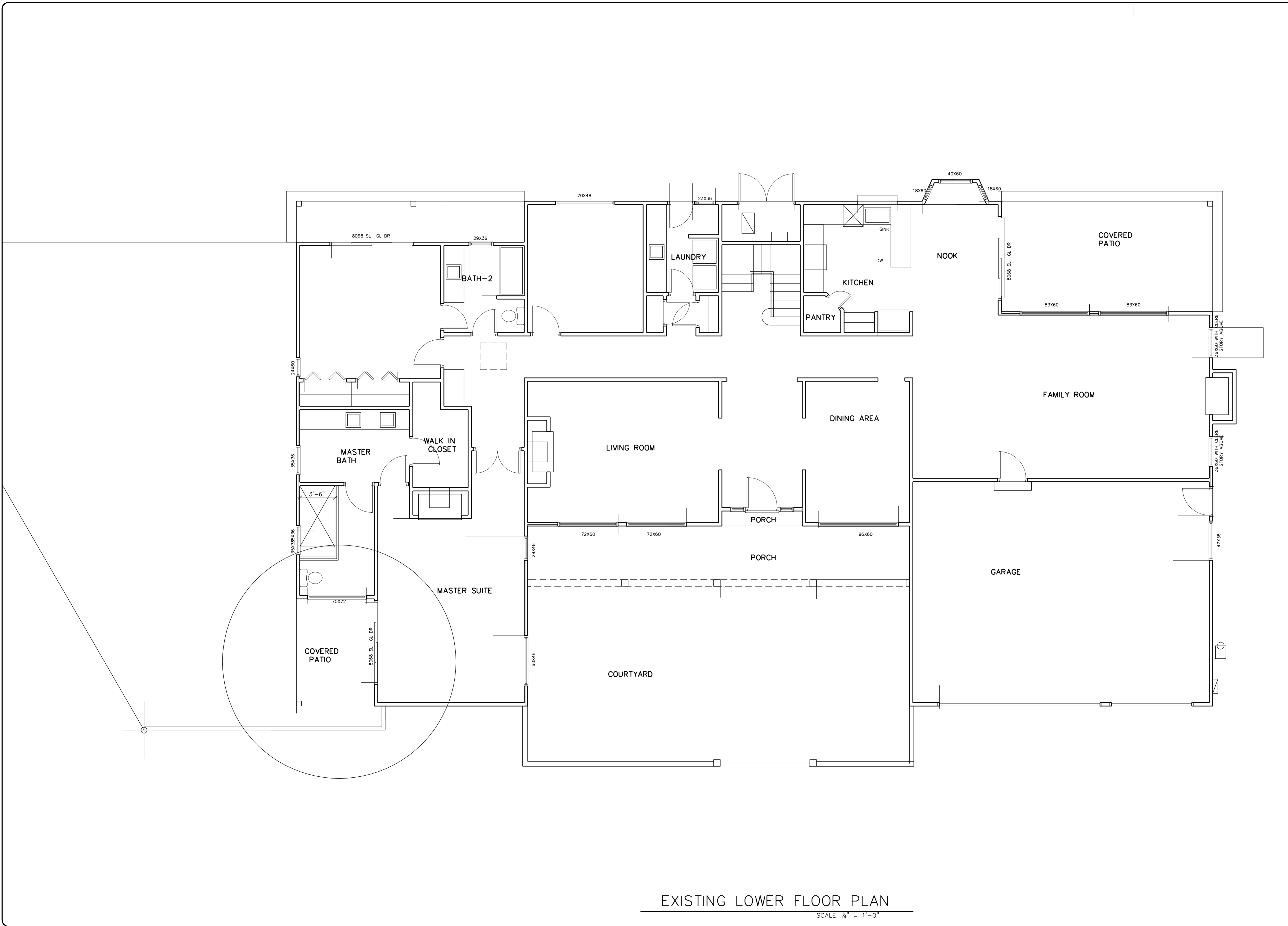
RICHARD HARD
 DRAFTING AND PLANNING, INC.
 2150 MANGIN WAY, SAN JOSE, CA 95148
 (408) 532-1755 HARDING1@AOL.COM
 HARD DRAFTING PLANNING . COM

DUONG BATH REMODEL

1135 DEANA CT
 MORGAN HILL, CA

Date: 10-14-20
 Drawn: RH
 Scale: 1/4"=1'-0"
 Job: DUONG

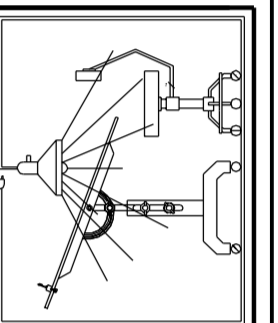
2
 SH1 1 OF 10



EXISTING LOWER FLOOR PLAN
 SCALE: 1/4" = 1'-0"

REVISION	11-4-16	△
		△
		△
		△
		△

EXTERIOR ELEVATIONS

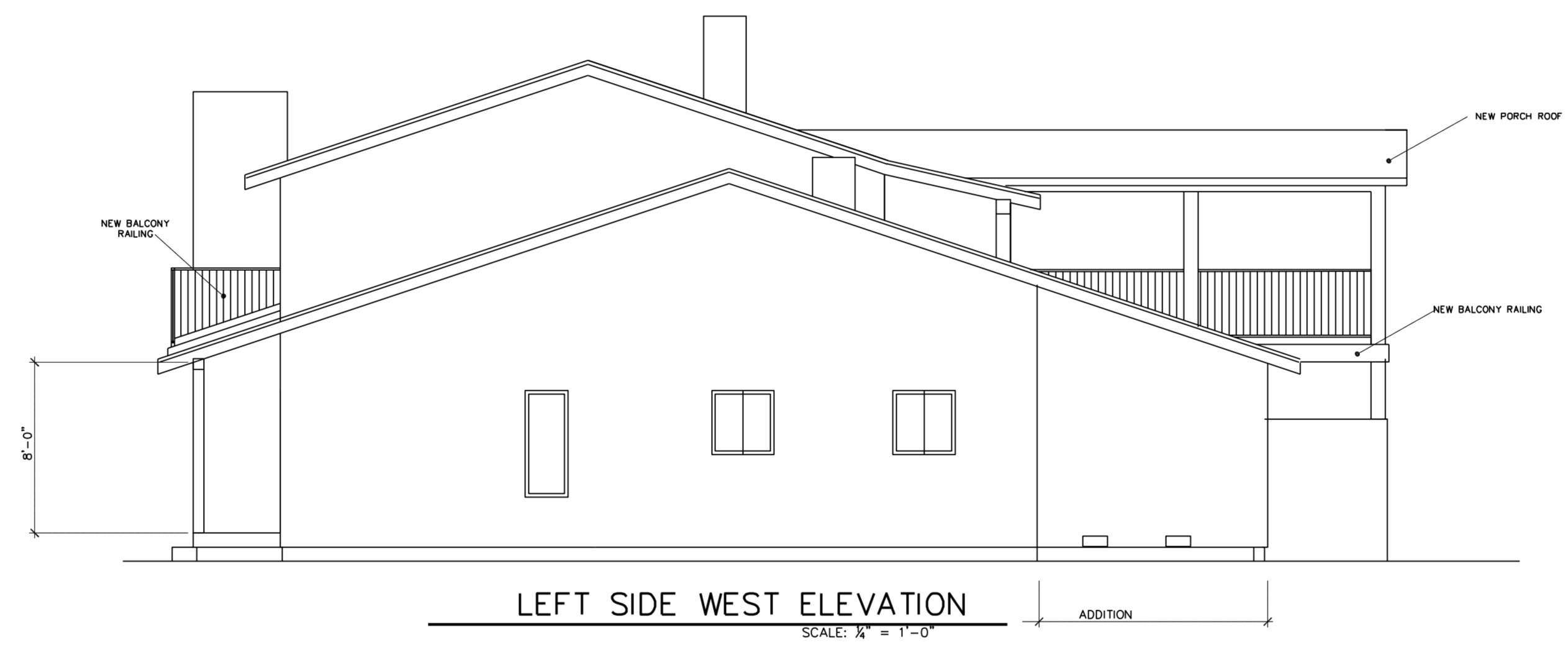


RICHARD HARD
 DRAFTING AND PLANNING, INC.
 2150 MANGIN WAY, SAN JOSE, CA 95148
 (408) 532-1755 HARDING1@ADL.COM
 HARD DRAFTING PLANNING · CON

DUONG BATH REMODEL

1135 DEANA CT
 MORGAN HILL, CA

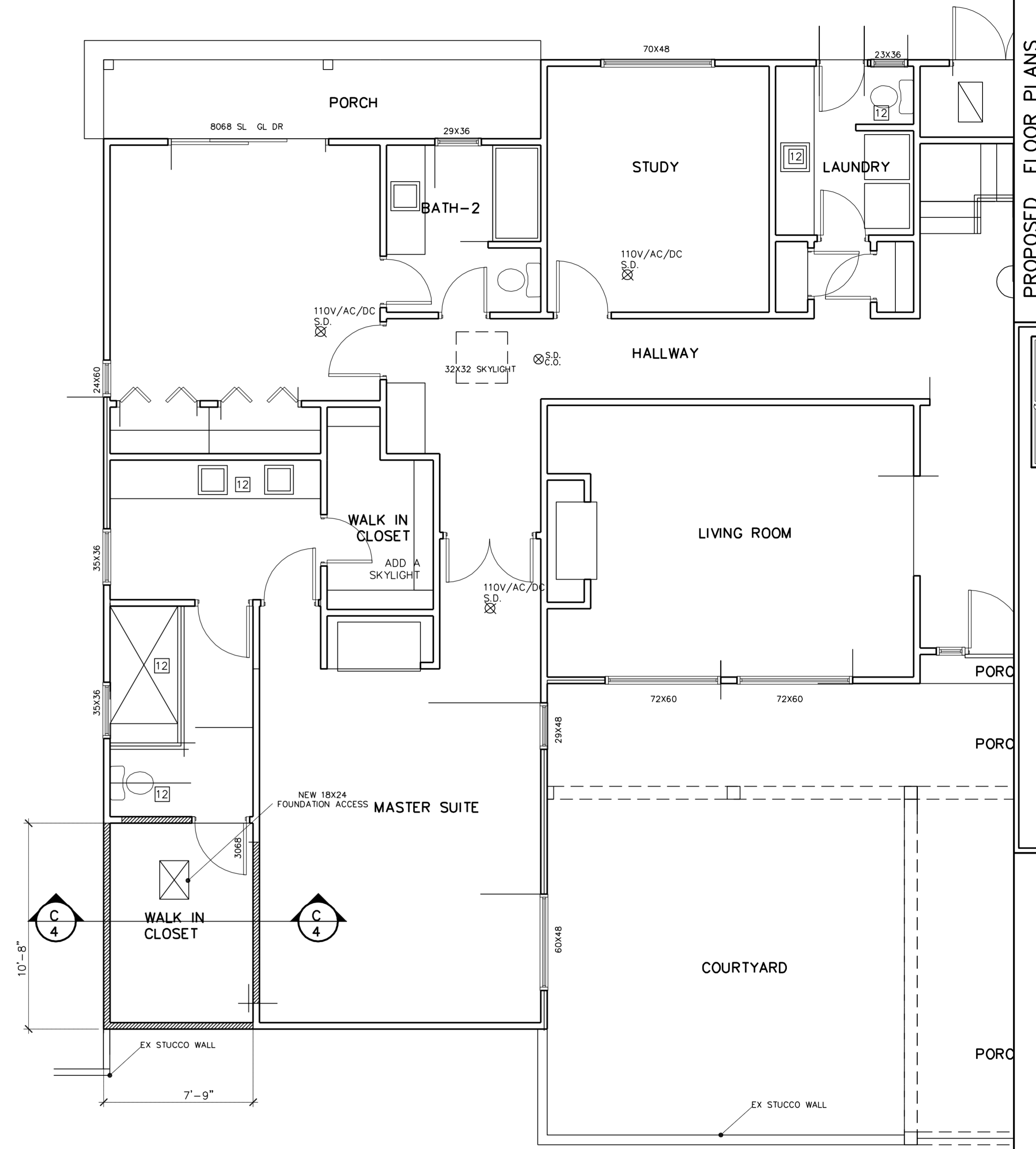
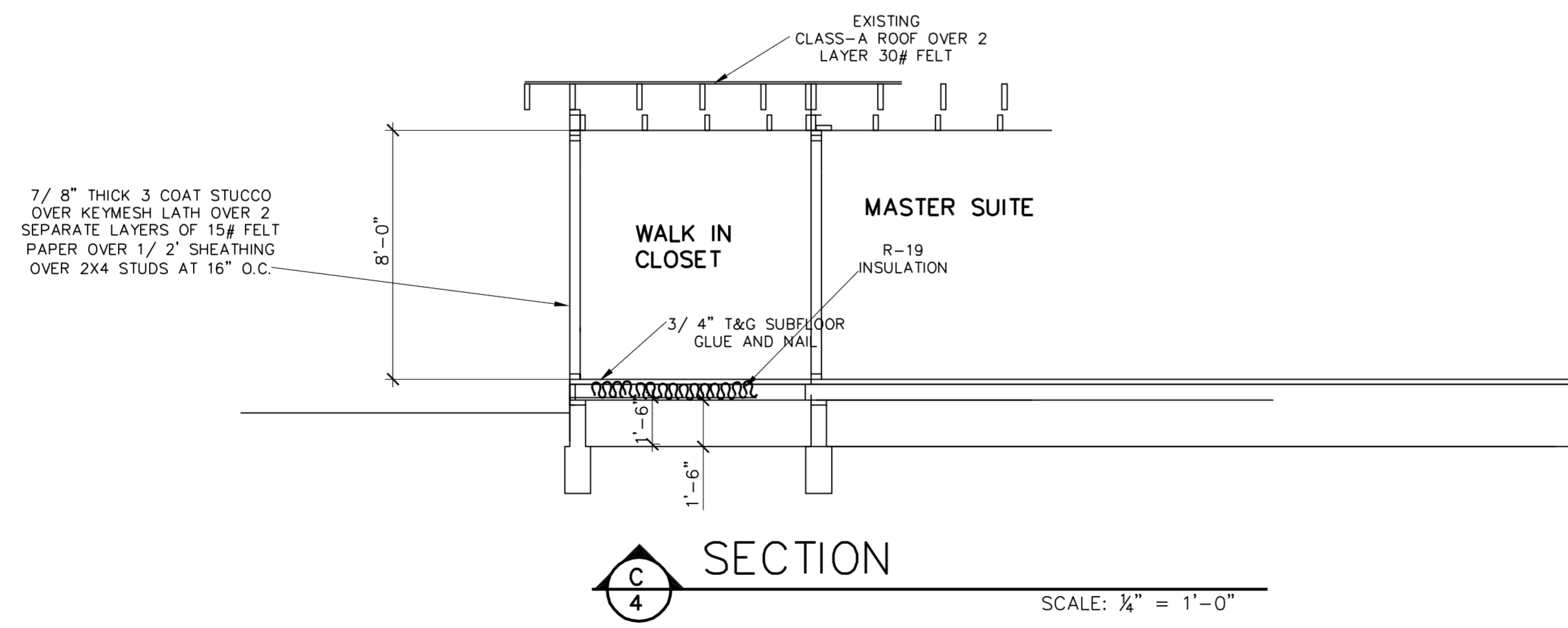
Date:	10-14-20
Drawn:	RH
Scale:	1/4"=1'-0"
Job:	DUONG



LEFT SIDE WEST ELEVATION
 SCALE: 1/4" = 1'-0"

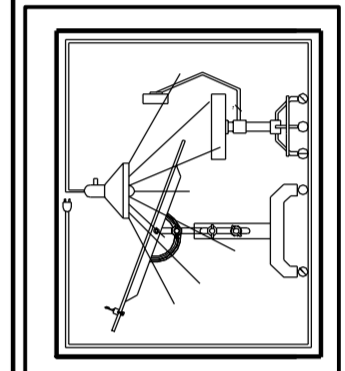


FRONT SOUTH ELEVATION INSIDE OF THE COURT YARD WALL
 SCALE: 1/4" = 1'-0"



	△
	△
	△
	△
	△

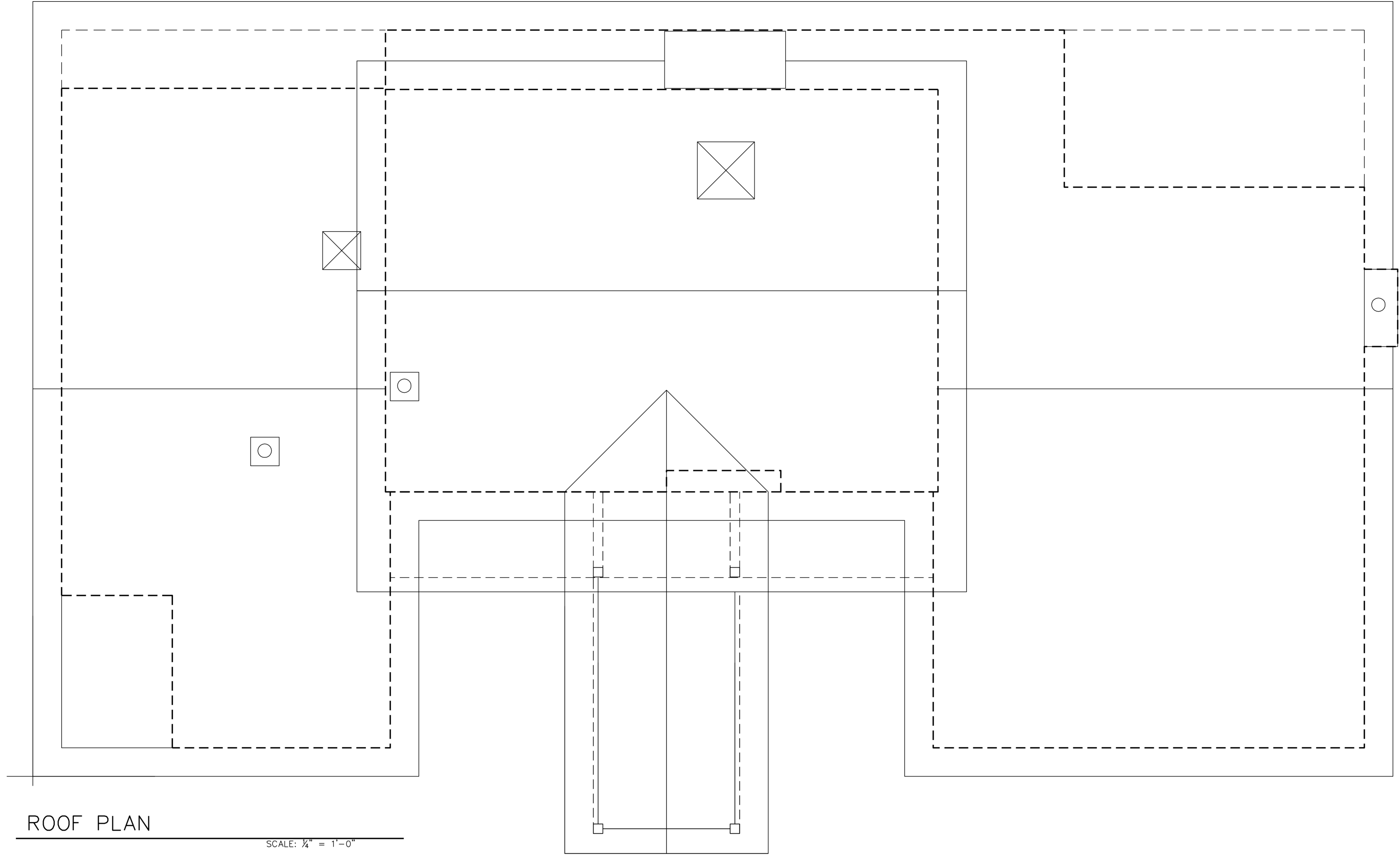
PROPOSED FLOOR PLANS



RICHARD HARD
 DRAFTING AND PLANNING, INC.
 2150 MANGIN WAY, SAN JOSE, CA 95148
 (408) 532-1755 HARDING1@AOL.COM
 HARD DRAFTING PLANNING · CDW

DUONG BATH REMODEL
 1135 DEANA CT
 MORGAN HILL, CA

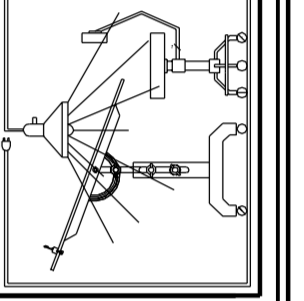
Date: 10-14-20
 Drawn: RH
 Scale: 1/4"=1'-0"
 Job: DUONG



ROOF PLAN

SCALE: 1/4" = 1'-0"

ROOF PLAN



RICHARD HARD
 DRAFTING AND PLANNING, INC.
 2150 MANGIN WAY, SAN JOSE, CA 95148
 (408) 532-1755 HARDING1@ADL.COM
 HARD DRAFTING PLANNING . COM

DUONG BATH REMODEL

1135 DEANA CT
 MORGAN HILL, CA

Date: 10-14-20

Drawn: RH

Scale: 1/4"=1'-0

Job: DUONG

5

SHT 1 OF